



BEVERAGE-AIR®

Project: _____	AIA#
Item: _____	
Location: _____	SIS#
Approved: _____	

DW94HC DEEP WELL SERIES: HORIZONTAL BOTTLE COOLERS

HORIZONTAL BOTTLE COOLERS

DW94HC Deep Well Series
Hydrocarbon Series

MODEL:
DW94HC-B



5 Year Parts/Labor Warranty Available

7 Year Compressor Warranty

CABINET CONSTRUCTION

- Exterior features durable black painted steel
- Galvanized steel interior and floor
- Full electronic control
- Tops include easy glide, stainless steel lids (4)
- Stainless steel countertop with integral glass stops
- Six (6) epoxy coated adjustable wire dividers
- Bottle opener and cap catcher standard
- Constructed with high cooling RPM fans to provide fast cooling

OPTIONS & ACCESSORIES

- 3 Year parts/labor standard, additional 2 year warranty available
- Stainless steel interior
- Wire divider
- Lid locks
- 3" Casters or 6" adjustable leg with plate
- Remote option* (see note on back on page)

REFRIGERATION SYSTEM

- Refrigeration system uses R290 refrigerant to comply with all environmental concerns
- Automatic, non-electric defrost
- Epoxy coated evaporator coil
- Forced air refrigeration system holds product between 36°- 40°F



Please verify qualifying units by visiting:
www.energystar.gov/cfs

3779 Champion Blvd., Winston-Salem, NC 27105
1-888-845-9800 Fax: 1-336-245-6453
Beverage-Air.com Sales@bevair.com



BEVERAGE-AIR

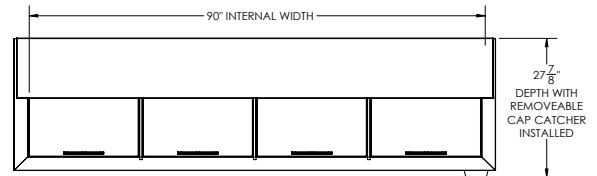
MODEL	DW94HC-B
EXTERNAL DIMENSIONAL DATA	
Width Overall	95"
Depth Overall	26 5/8"
Depth Overall with Cap Catcher	27 7/8"
Height Overall	33 3/4"
Number of Lids	4
INTERNAL DIMENSIONAL DATA	
NET Capacity (cubic ft.)	28.63
Internal Width Overall (in)	90"
Internal Depth Overall (in)	22 3/4"
Internal Height Overall at Step (in)	16 3/4"
Internal Height Overall (in)	26 3/4"
Number of Dividers	6
12 oz. Bottle Capacity	39 Cases
12 oz. Can Capacity	55 3/4 Cases
ELECTRICAL DATA	
Full Load Amperes	2.5
REFRIGERATION DATA	
Horsepower	1/4
Capacity (BTU/Hr)	1702
Heat Rejection (BTU/Hr)	2553
Charge (lbs/grams)	0.2094/95
SHIPPING DATA	
Gross Weight - Crated	468 lbs
Height - Crated	41"
Width - Crated	98"
Depth - Crated	29"

*NOTE: Remote units are field wired and come with 6" legs.
Refrigerant must be specified at time of order.

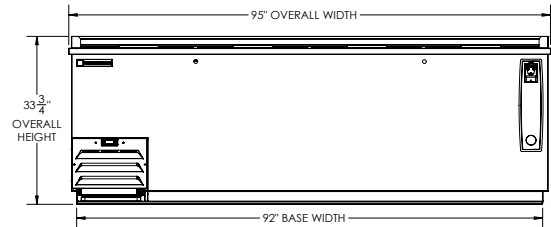
Horizontal Bottle Coolers - Deep Well Model: DW94HC-B

Model Views

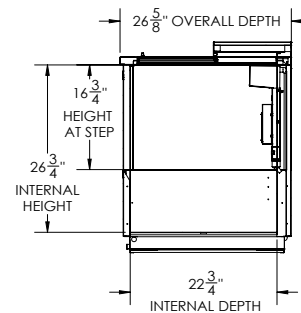
Required Clearance: 3" Left Side & Back



PLAN VIEW



ELEVATION VIEW



SIDE VIEW



ELECTRICAL CONNECTION



115/60/1
NEMA 5-15P

Unit pre-wired at factory
and include 8' long cord
and plug set.